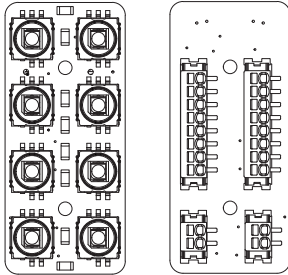


Technical Sheet



CONNECTOR DESCRIPTION

- Push-in spring connection (time saving and tools not required).
- Cable cross section:
0.14 mm² to 0.5 mm² (26 to 20 AWG)
ferrule nedded if use flexible cable.

SPECIFICATION

Function: momentary action
Contact arrangement: SPST, N.O.

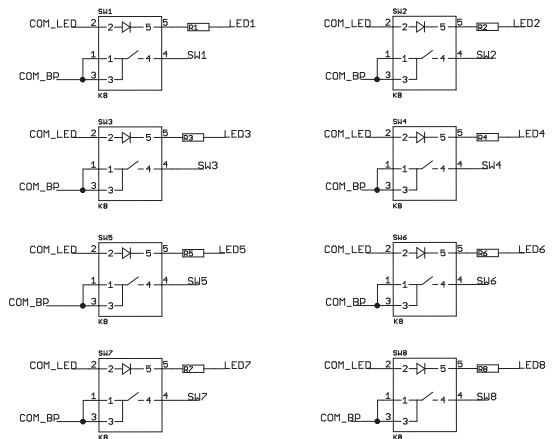
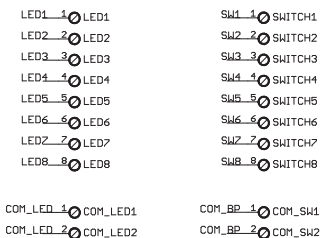
ELECTRICAL

Maximum power: 1.0 VA
Maximum voltage: 32 VDC
Minimum voltage: 20 mV
Maximum current: 50 mA
Minimum current: 1 mA
Dielectric strength: (50 Hz, 1 min.) ≥ 250 Vrms
Contact resistance: < 100mΩ
Insulation resistance: (100 V, initial stage) > 10⁹Ω
Bounce time: < 10 ms

ENVIRONMENTAL

Operating temperature: -40 °C to +85 °C
Storage temperature: -55 °C to +85 °C

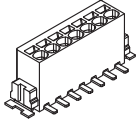
ELECTRICAL DIAGRAM CIRCUIT BOARD



D O T

BY ERPICUM

CONNECTOR INFORMATION



PTSM 0,5/ 8-2,5-V SMD WH R44 1814760

PTSM 0,5/ 2-2,5-V SMD WH R44 - 1814702

Please find all technical details on Phoenix Contact website :

<https://www.phoenixcontact.com/be/produits/1814760>

<https://www.phoenixcontact.com/be/produits/1814702>

ATELIER LUXUS

Rue de la Baronnerie 9 4920 Harzé-BELGIUM

Tel. +32 (0) 4 344 44 51 / info@atelierluxus.com / www.atelierluxus.com

